

INDUSTRIAL NATURAL GAS ENGINE

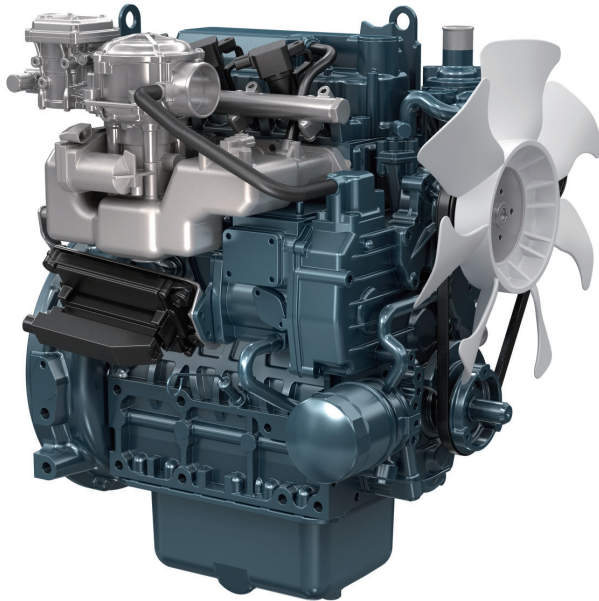
Kubota WG Series (3-Cylinder)

WG1903-N



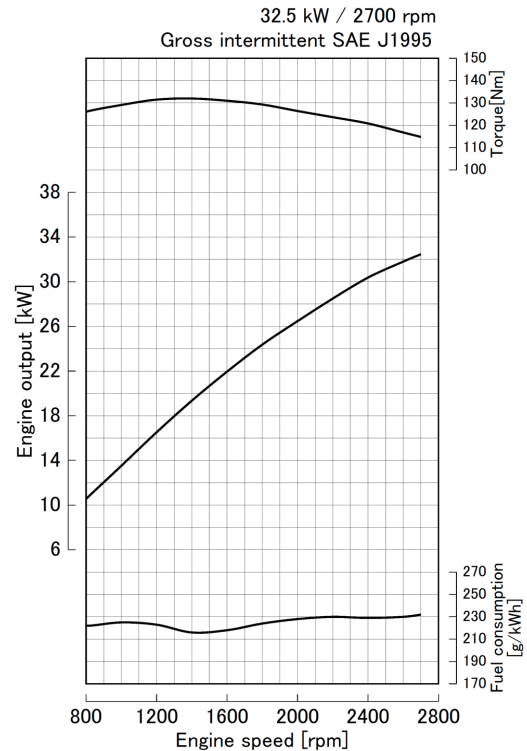
Rated Power

32.5 kW @ 2700 rpm



Photograph may show non-standard equipment.

Performance Curves



Features and Benefits

Emissions

Kubota's WG1903-N engine has been designed to comply with EPA Tier 2 / CARB Tier 3 + EU Stage V.

Fuel Flexibility

The installation compatibility that exists between Spark-Ignition engines (SI) and Compression-Ignition engines (CI) is convenient for customers who need fuel flexibility for their products. The Kubota WG1903 includes gasoline, LPG, and natural gas versions, as well as dual fuel (gasoline and LPG) version.

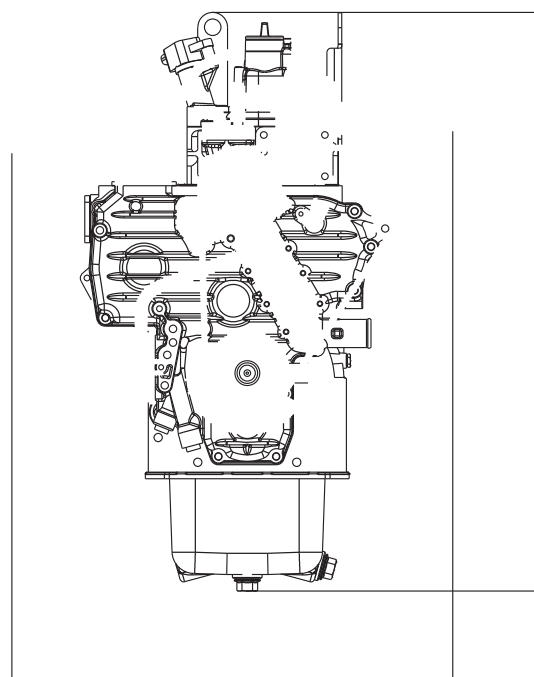
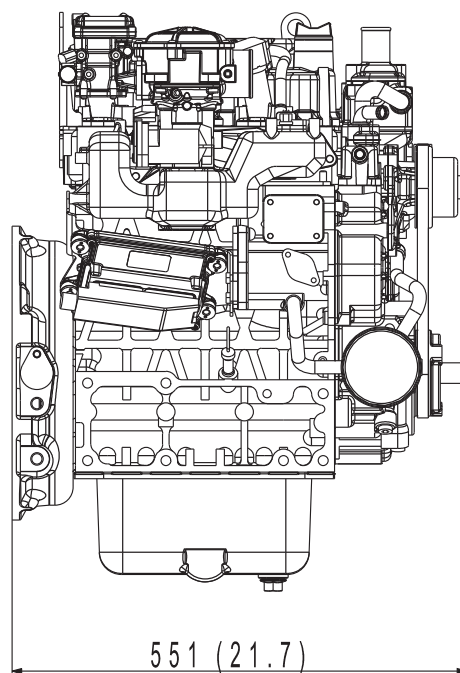
Durability and Reliability

Kubota WG1903 SI engines are designed after Kubota O3 Series diesel (CI) engines. While keeping the same footprint as the D1803 diesel engines, they offer performance similar to that of our turbo diesel engines, which are known worldwide as reliable industrial engines.

The Kubota WG1903 engine offers very low vibration and extremely low noise as well.

Engine Specifications

Dimensions



Kubota Corporation

2-47, Shikitsu Higashi 1-chome Naniwa-ku, Osaka, 556-8601 Japan

<https://global.engine.kubota.co.jp/en/>